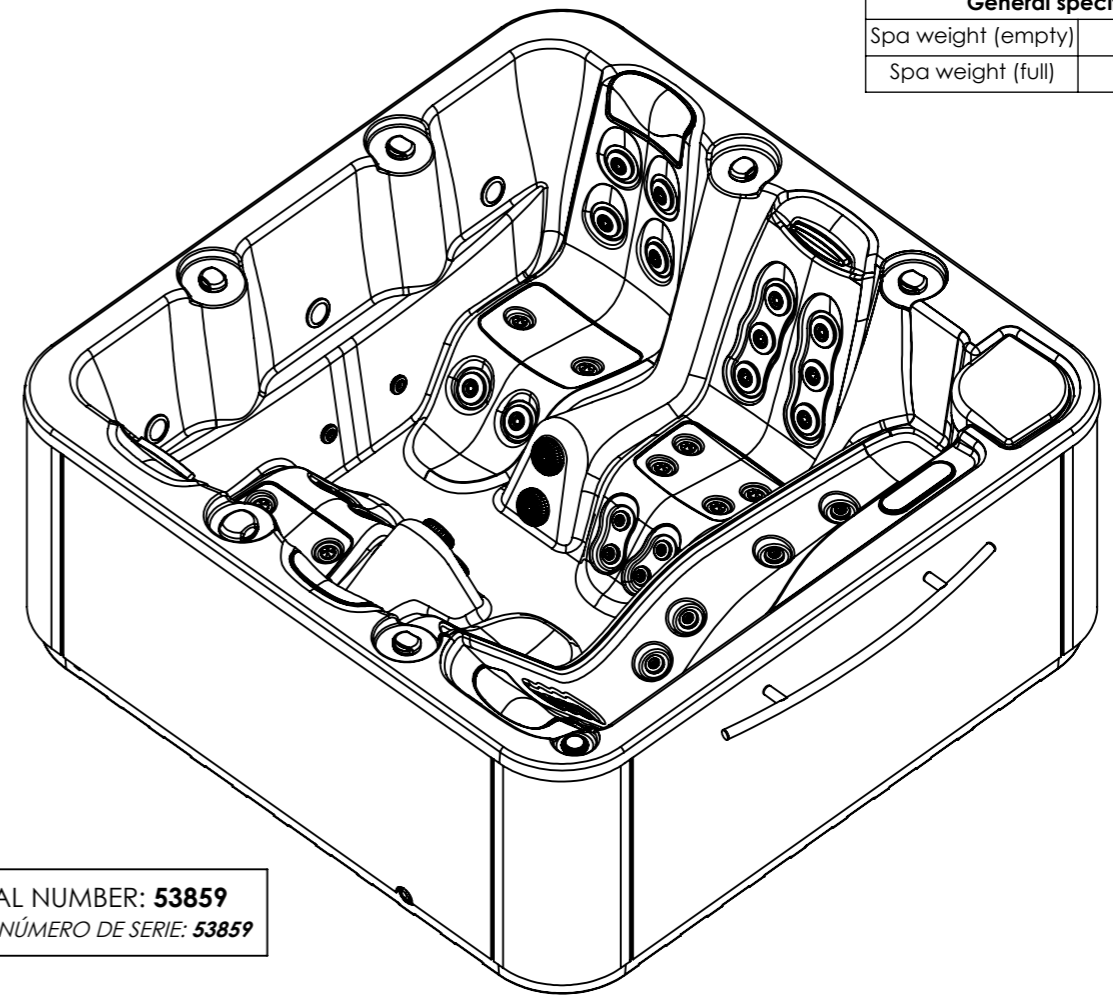
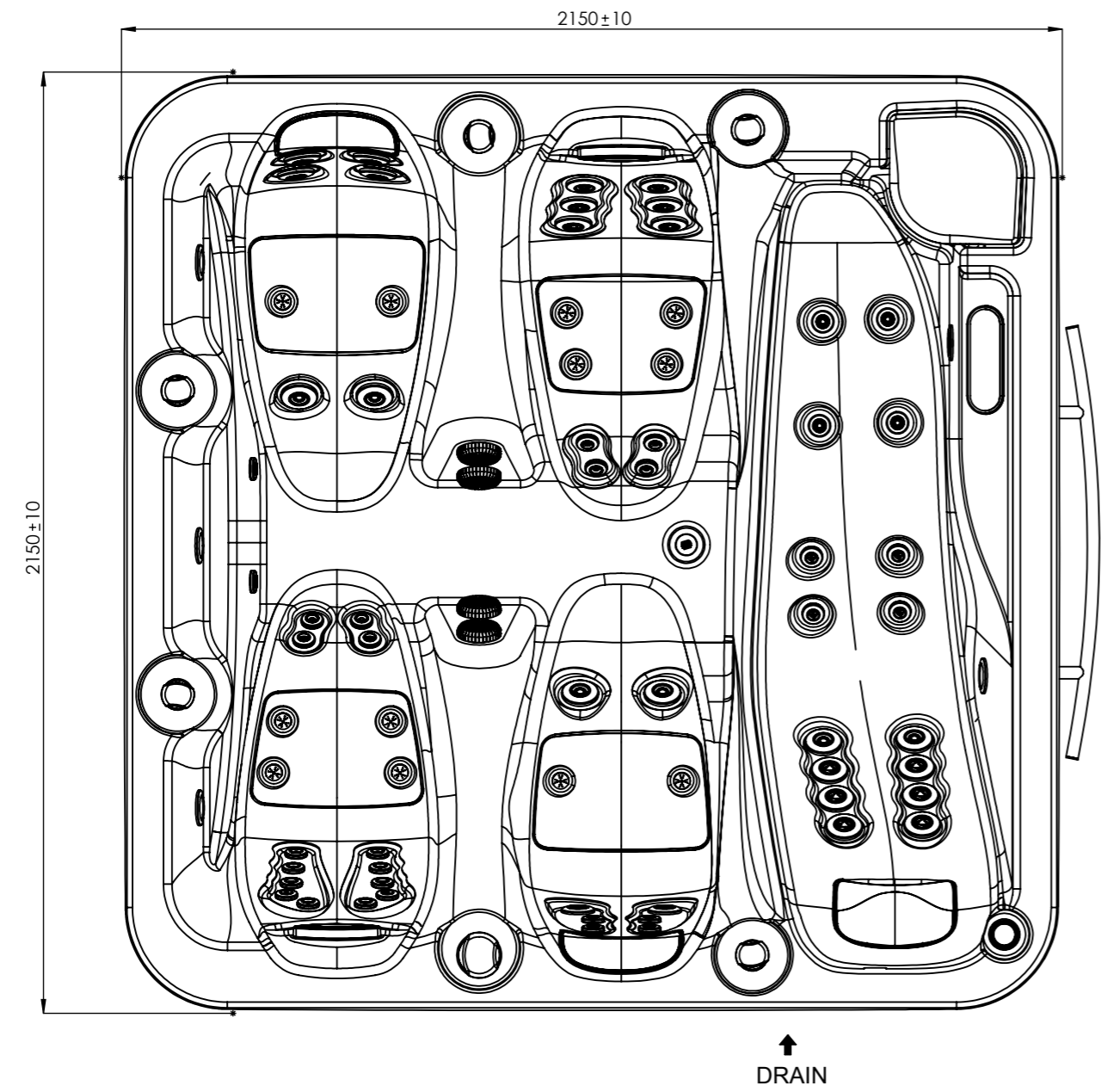
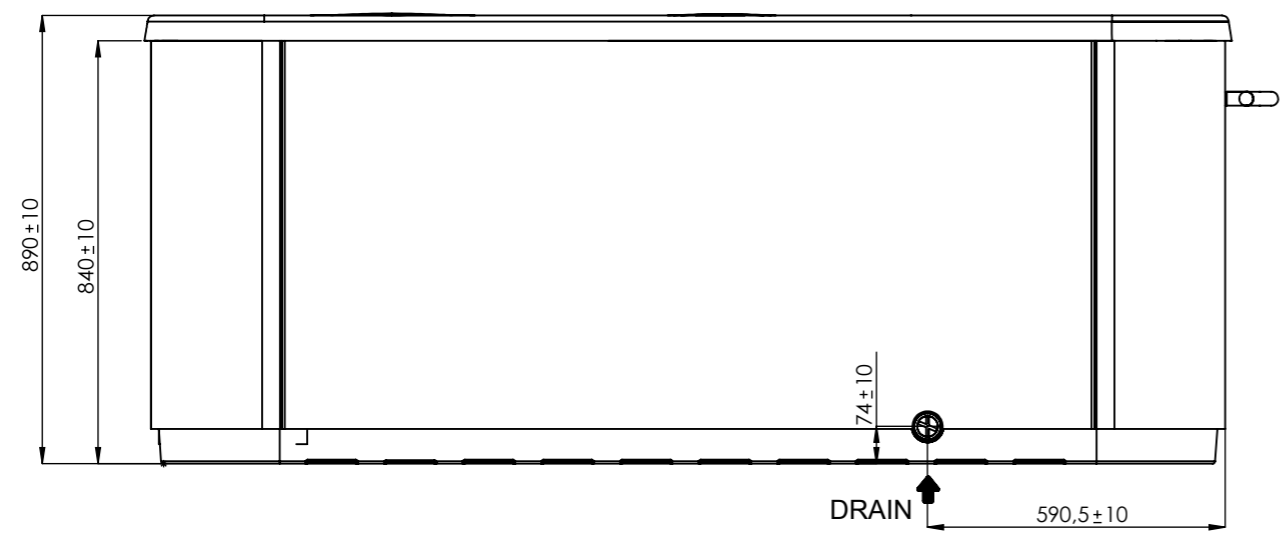


General specifications	
Spa weight (empty)	306 Kg
Spa weight (full)	1.486 Kg

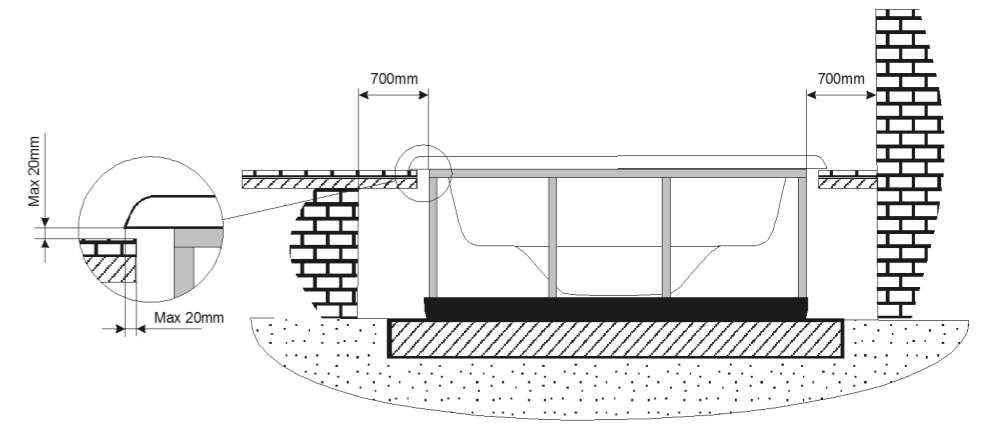


VALID FROM SERIAL NUMBER: **53859**
VALIDO A PARTIR DEL NÚMERO DE SERIE: **53859**

Inground option

WARNING:
It's essential to keep a minimum clearance access of **700mm** all around.

ELECTRICAL BOARD CONNECTIONS ACCESS



According to our policy of continuous improvement, dimensions, features or components of this product can be partially or completely changed without prior notice.
It's Customer responsibility to verify that this is the last version of the drawing

Change No.	Date	Name	Modification
05	04/12/2018	D.Castillo	Spa weight added.
04	03/07/2018	A.Miquel	Jets changed (CMP)
03	09/05/2017	O. Faura	Changing of electronic parts references.
02	09/06/2016	I.Pozo	Change blower pump and add audio
01	17/03/2016	I.Pozo	New spare template

Remarks Dimensions in mm. General Tolerances +/- 10mm		COMMERCIAL		
Drawn	13/01/2016	I.Pozo	IBERSPA	Part Number 66031
Checked		V.Saiz		
Scale	1:15	General Tolerance DIN 7168 ISO 2768g		First Angle Projection
Sheet	1/3			