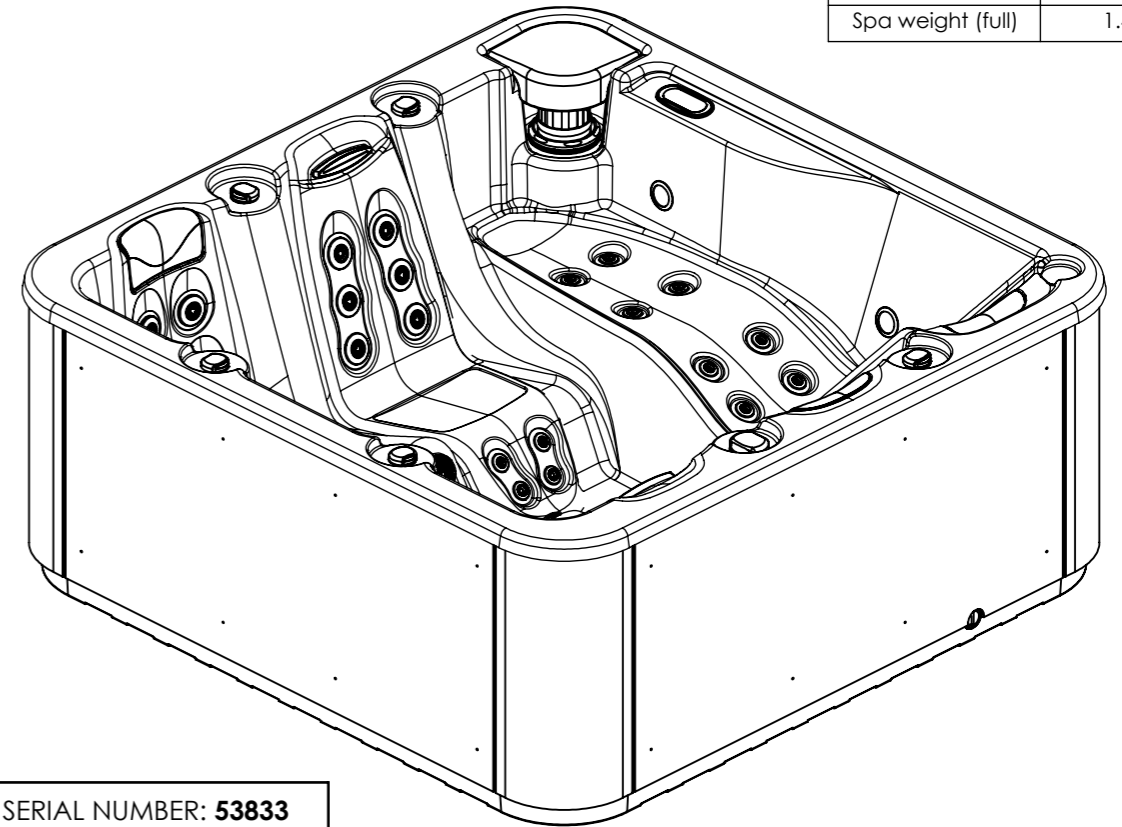
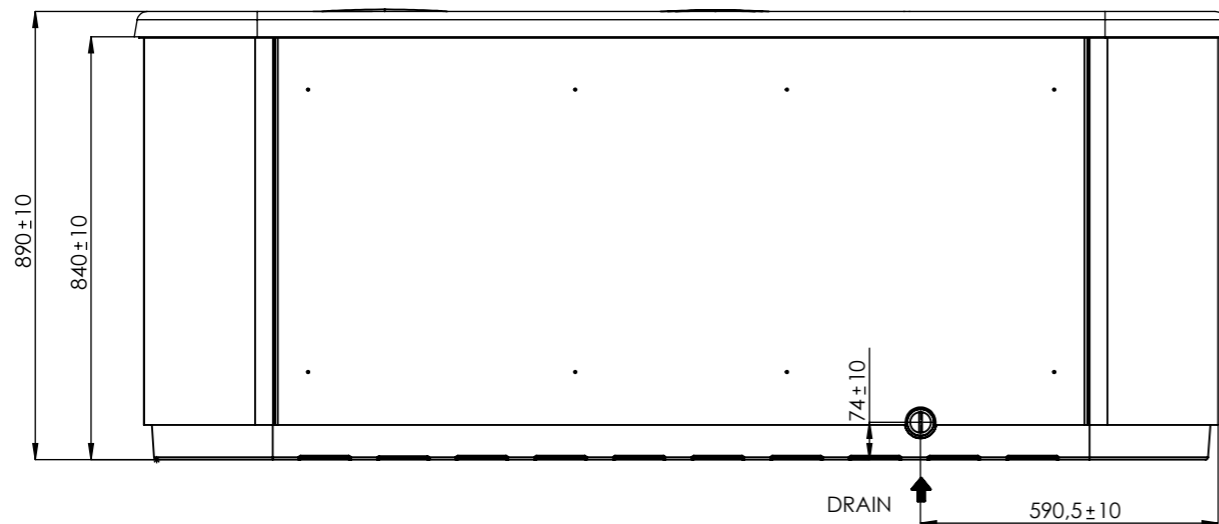
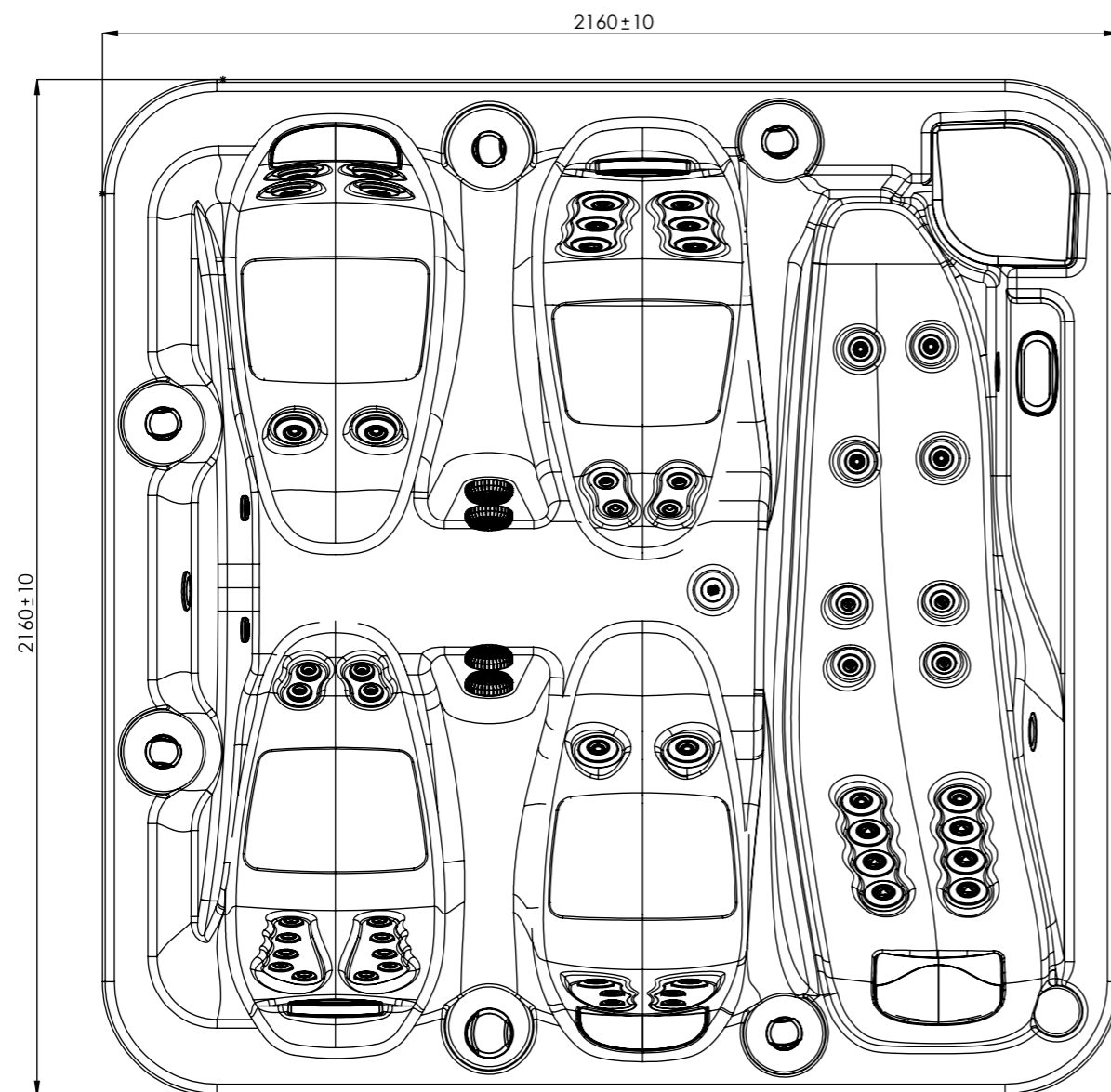


General specifications	
Spa weight (empty)	306 Kg
Spa weight (full)	1.486 Kg



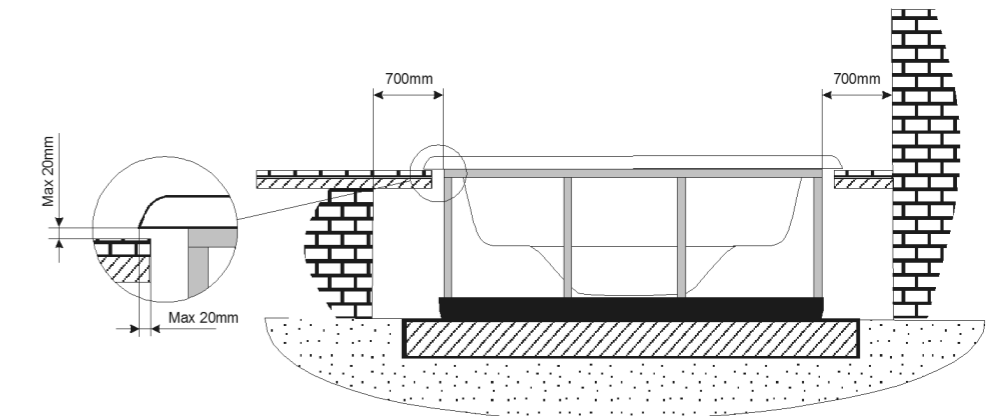
VALID FROM SERIAL NUMBER: **53833**
VALIDO A PARTIR DEL NÚMERO DE SERIE: **53833**



Inground option

WARNING:
It's essential to keep a minimum clearance access of **700mm** all around.

ELECTRICAL BOARD CONNECTIONS ACCESS



According to our policy of continuous improvement, dimensions, features or components of this product can be partially or completely changed without prior notice.
It's Customer responsibility to verify that this is the last version of the drawing

04	10/12/2018	D.Castillo	Spa weight added.
03	23/10/2018	A.Miquel	DSG waterfall changed.
02	28/06/2018	A.Miquel	Jets changed (CMP)
01	09/05/2017	O. Faura	Changing of electronic parts references.
00	14/01/2015	I.Pozo	Creation
Change No.	Date	Name	Modification

Remarks Dimensions in mm. General Tolerances +/- 10mm		COMMERCIAL		
Drawn	14/01/2015	I.Pozo	IBERSPA	Part Number 62318
Checked		V.Saiz		
Scale	1:15	General Tolerance DIN 7168 ISO 2768g		First Angle Projection
Sheet	1/2			