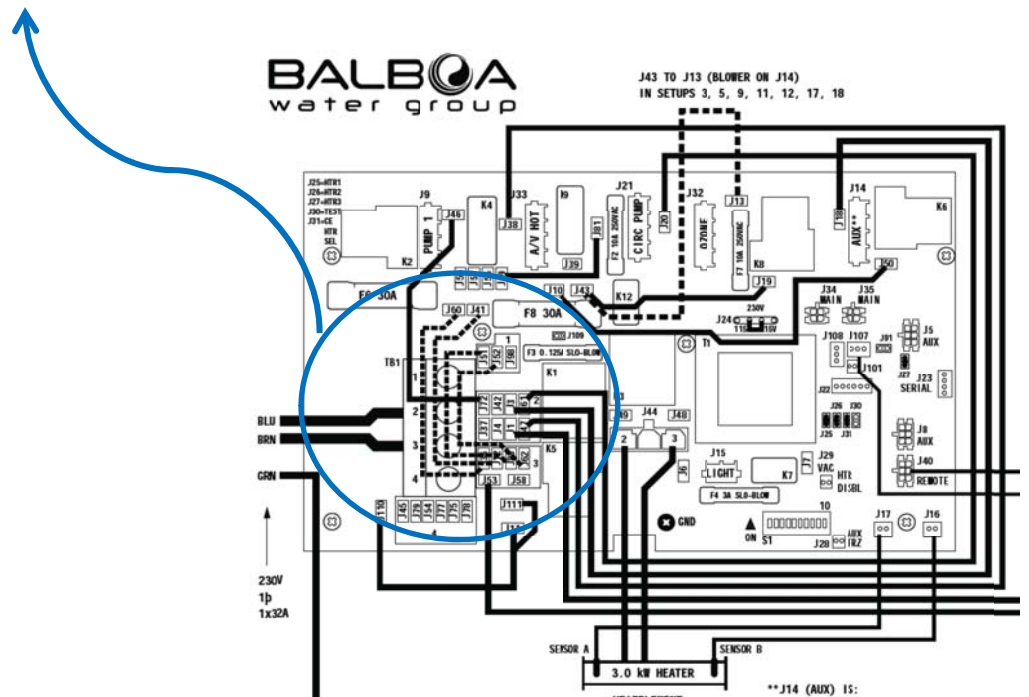
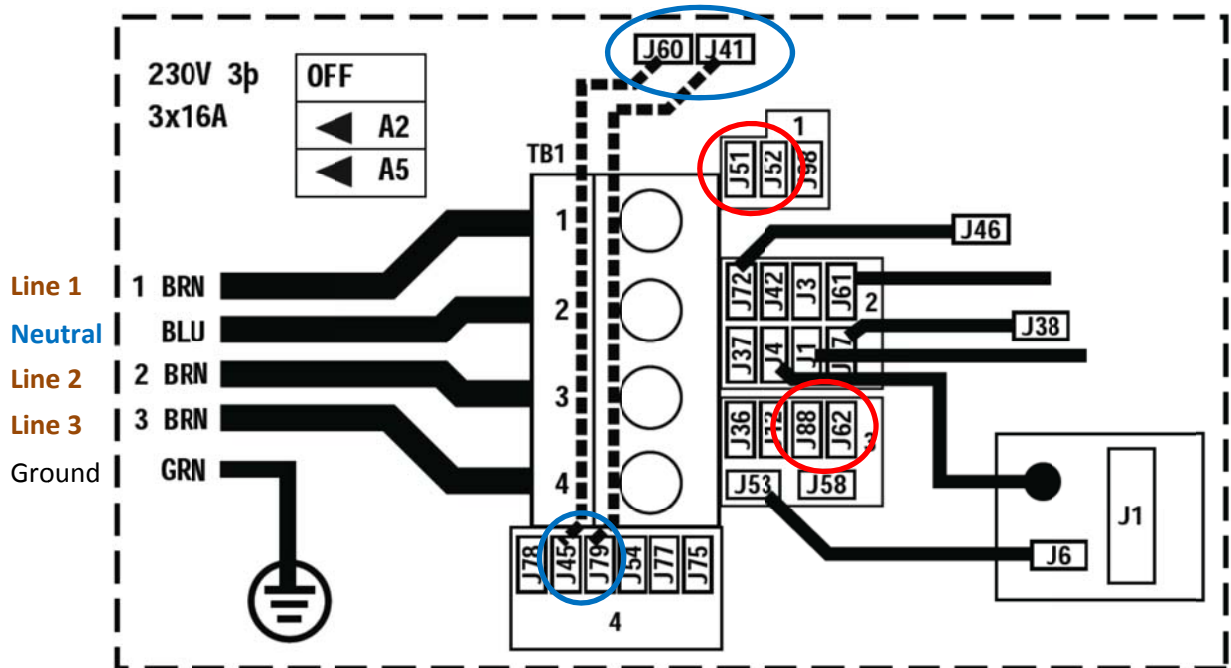


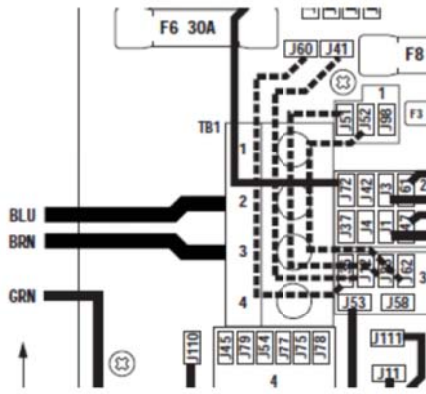
HOW TO CONNECT BP2100 SYSTEMS IN THREE PHASES 400V - ENGLISH

1. Completely remove jumper connecting J51 and J88
2. Completely remove jumper connecting J52 and J62
3. Move jumper from J12 to J79. The connection will be from J41 to J79.
4. Move jumper from J36 to J45. The new connection will now be from J60 to J45.
5. Put DIP switches A2 and A5 on OFF
6. Power requirements:

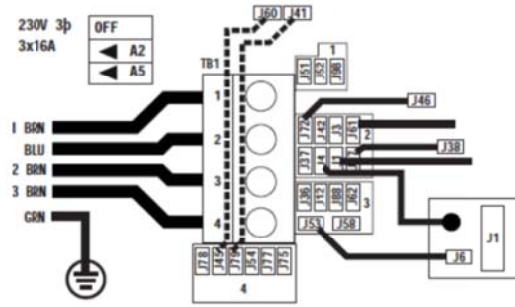
3- Service 5 wires: Line 2, Line 2, Line 3, Neutral, Ground 400VCA, 50/60 Hz*
 3 phase, 16A (Circuit breaker rating = 20A max each phase line).

* BP systems automatically detect 50Hz vs 60Hz





Picture 1: 1-phase connection



Picture 2: 3-phase connection